

# FALCO LEVEL ECO



## FALCOLEVEL-ECO

The FalcoLevel-Eco is a high density and budget friendly two-tier cycle parking system.

The FalcoLevel-Eco is an innovative and user friendly cycle parking system which accommodates twice the number of bicycles compared to any other traditional cycle rack or stand. Ideal for locations such as stations, schools and shopping centres.

**MODULAR DESIGN** | Connect multiple units side by side for as long as required

**TWO-TIER STORAGE SYSTEM** | Accommodates twice as many cycles compared to any other traditional rack or stand

**BUDGET** | friendly

**OPERATION** | Gas struts facilitate the process of parking a bike

## FALCOLEVEL-ECO

The FalcoLevel two-tier series is the UK's best selling high density cycle rack and is used at the UK's first ever cycle hub at Leeds City Station as well as the UK's two largest cycle hubs at Cambridge and Chelmsford Stations.

Adopting the same great features and the same number of locking points as featured on the [FalcoLevel-Premium+](#), the new FalcoLevel-Eco offers specifiers and buyers with significant cost savings when providing mass two-tier cycle parking.

### Material

The FalcoLevel-Eco is manufactured from 100% recyclable, robust, hot-dip galvanised steel to BS EN ISO 1461. The new mechanism creates a significant reduction in noise pollution, is smoother to operate making it just as easy to park a bike on the upper rack as the lower rack. As with all Falco products, all steel parts can be powder coated in any of the 192 RAL colours upon request.

### Environment and Location

The FalcoLevel-Eco is suitable for both indoor or outdoor use. Falco also manufacture a range of single sided and double sided shelter and canopy structures ideal for sheltering the two-tier cycle racking systems.

FalcoLevel-Eco has excellent build quality, typical of a Falco product.



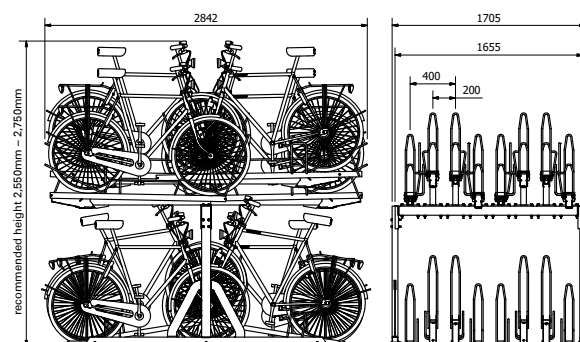
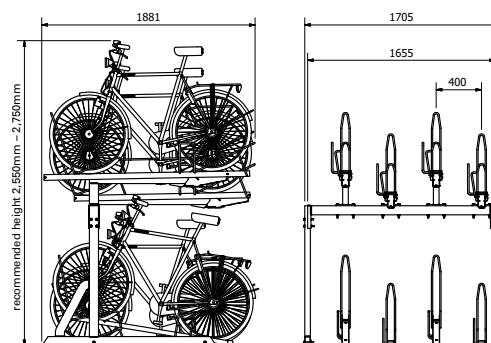
### Key features

- The FalcoLevel-Eco utilises gas struts, which makes it just as easy to park a bicycle on the upper rack as the lower rack.
- The racks are suitable for cycle tyres with a thickness of 27-56mm.
- The system has multiple locking points for added security.
- Available as a single or double sided version.
- It is available in a centre to centre distance of 375mm or 400mm. To maximise the number of cycle spaces available we advise choosing a 375mm centre to centre distance.



## FALCOLEVEL-ECO

Description	Part Code
FalcoLevel-Eco Single Sided Upright	00.300.000
FalcoLevel-Eco single sided cycle rack, four upper spaces and four lower spaces to accommodate eight bikes. Centre to centre distance 375mm, 1,505mm length	00.304.037
FalcoLevel-Eco single sided cycle rack, four upper spaces and four lower spaces to accommodate eight bikes. Centre to centre distance 400mm, 1,592mm length	00.304.040
FalcoLevel-Eco single sided cycle rack, six upper spaces and six lower spaces to accommodate twelve bikes. Centre to centre distance 375mm, 2,255mm length	00.306.037
FalcoLevel-Eco single sided cycle rack, six upper spaces and six lower spaces to accommodate twelve bikes. Centre to centre distance 400mm, 2,392mm length	00.306.040
FalcoLevel-Eco Double Sided Upright	00.301.000
FalcoLevel-Eco double sided cycle rack, eight upper spaces and eight lower spaces to accommodate sixteen bikes. Centre to centre distance 187.5mm, 1,505mm length	00.318.018
FalcoLevel-Eco double sided cycle rack, eight upper spaces and eight lower spaces to accommodate sixteen bikes. Centre to centre distance 200mm, 1,592mm length	00.318.020
FalcoLevel-Eco double sided cycle rack, sixteen upper spaces and sixteen lower spaces to accommodate thirty two bikes. Centre to centre distance 187.5mm, 3,005mm length	00.326.018
FalcoLevel-Eco double sided cycle rack, sixteen upper spaces and sixteen lower spaces to accommodate thirty two bikes. Centre to centre distance 200mm, 3,193mm length	00.326.020



## MAINTENANCE

### Inspection of the FalcoLevel-Eco, to be carried out annually

- Check the operation of the complete system
- Inspect the mounting material
- Identify damage as a result of vandalism
- Inform the client
- Issue quotation for any parts to be replaced

### Preventive maintenance, to be carried out periodically in consultation with the client

- Test the gas spring and the operation of the extension gutter
- Identify damage as a result of vandalism
- Inform the client
- Issue quotation for any parts to be replaced

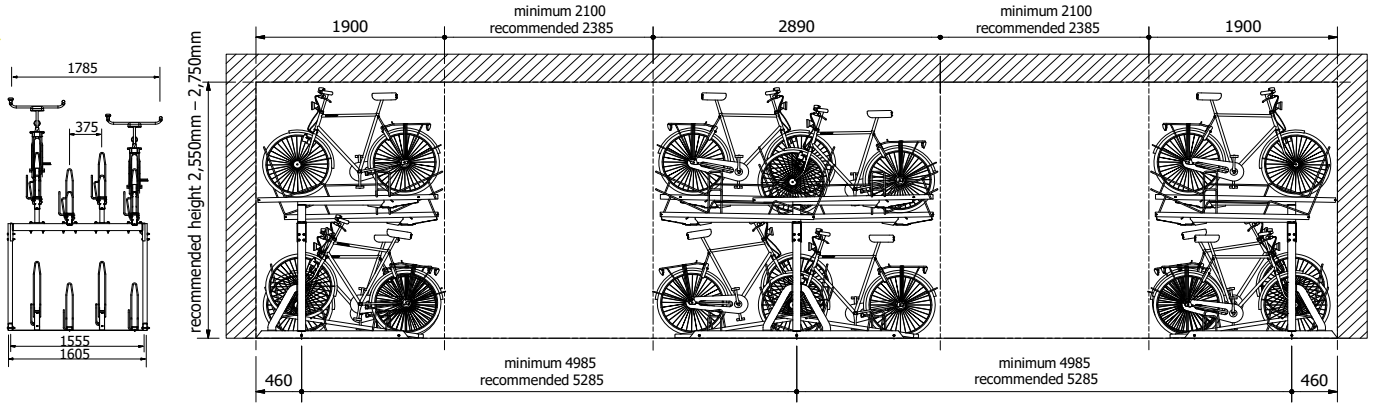
### Cleaning

- Clean upper and lower gutters (only the free bicycle spaces)
- Clean leaf and garbage residue from the lower rack (only the free bicycle spaces)
- Clean any coating
- Client must dispose of garbage which will be collected at a location to be specified by the client
- Water supply tap must be available, as well as a drain

The above activities will only and exclusively be carried out in consultation with the client. After specifying a date, the client must ensure that the workspace is freely accessible and free from obstacles. Replacement parts will be quoted for and are not included, nor are working hours that are accumulated due to not being able to carry out the maintenance activities or cleaning.

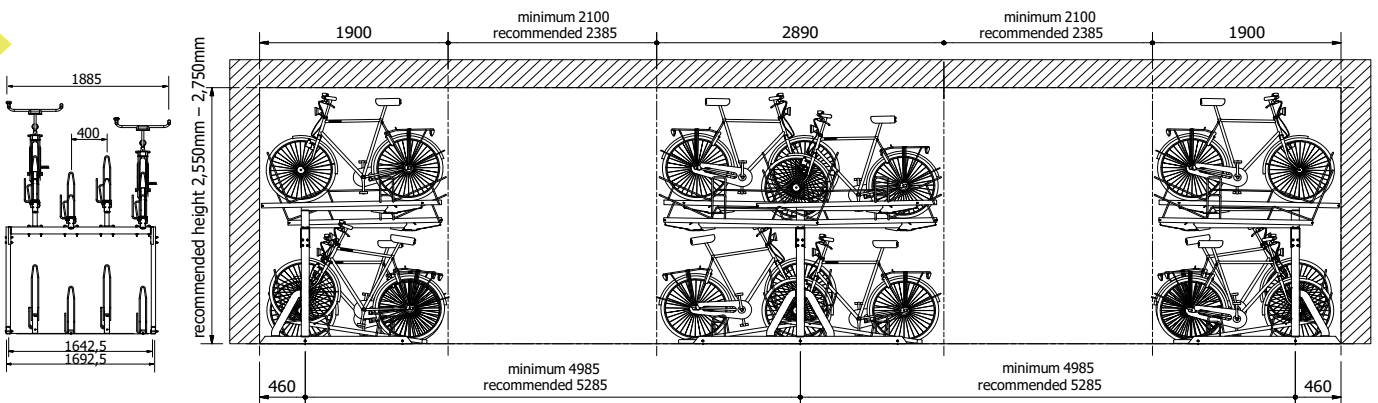
## FALCOLEVEL ECO 375 MM CENTRE TO CENTRE

Single Sided	Double Sided	Posts	Length mm		Single Sided	Double Sided	Posts	Length mm		Single Sided	Double Sided	Posts	Length mm	
			Single	Double				Single	Double				Single	Double
4	8	2	1035	1205	34	68	4	6770	6940	66	132	6	12880	13050
6	12	2	1410	1580	36	72	4	7145	7315	68	136	6	13255	13425
8	16	2	1785	1955	38	76	4	7520	7690	70	140	6	13630	13800
10	20	2	2160	2330	40	80	4	7895	8065	72	144	6	14005	14175
12	24	2	2535	2705	42	84	4	8270	8440	74	148	6	14380	14550
14	28	2	2910	3080	44	88	4	8645	8815	76	152	6	14755	14925
16	32	2	3285	3455	46	92	4	9020	9190	78	156	6	15130	15300
18	36	3	3715	3885	48	96	4	9395	9565	80	160	6	15505	15675
20	40	3	4090	4260	50	100	5	9825	9995	82	164	7	15935	16105
22	44	3	4465	4635	52	104	5	10200	10370	84	168	7	16310	16480
24	48	3	4840	5010	54	108	5	10575	10745	86	172	7	16685	16855
26	52	3	5215	5385	56	112	5	10950	11120	88	176	7	17060	17230
28	56	3	5590	5760	58	116	5	11325	11495	90	180	7	17435	17605
30	60	3	5965	6135	60	120	5	11700	11870	92	184	7	17810	17980
32	64	3	6340	6510	62	124	5	12075	12245	94	188	7	18185	18355
					64	128	5	12450	12620	96	192	7	18560	18730



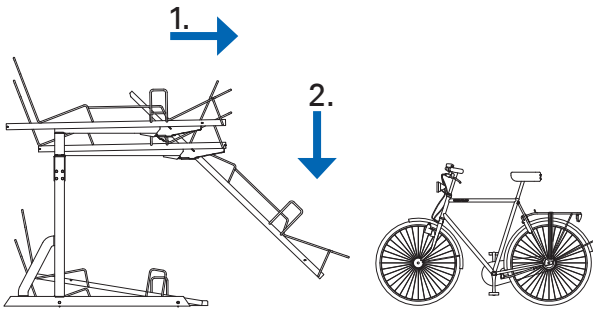
## FALCOLEVEL ECO 400 MM CENTRE TO CENTRE

Single Sided	Double Sided	Posts	Length mm		Single Sided	Double Sided	Posts	Length mm		Single Sided	Double Sided	Posts	Length mm	
			Single	Double				Single	Double				Single	Double
4	8	2	1085	1255	34	68	4	7170	7340	66	132	6	13655	13825
6	12	2	1485	1655	36	72	4	7570	7740	68	136	6	14055	14225
8	16	2	1885	2055	38	76	4	7970	8140	70	140	6	14455	14625
10	20	2	2285	2455	40	80	4	8370	8540	72	144	6	14855	15025
12	24	2	2685	2855	42	84	4	8770	8940	74	148	6	15255	15425
14	28	2	3085	3255	44	88	4	9170	9340	76	152	6	15655	15825
16	32	2	3485	3655	46	92	4	9570	9740	78	156	6	16055	16225
18	36	3	3927,5	4097,5	48	96	4	9970	10140	80	160	6	16455	16625
20	40	3	4327,5	4497,5	50	100	5	10412,5	10582,5	82	164	7	16897,5	17067,5
22	44	3	4727,5	4897,5	52	104	5	10812,5	10982,5	84	168	7	17297,5	17467,5
24	48	3	5127,5	5297,5	54	108	5	11212,5	11382,5	86	172	7	17697,5	17867,5
26	52	3	5527,5	5697,5	56	112	5	11612,5	11782,5	88	176	7	18097,5	18267,5
28	56	3	5927,5	6097,5	58	116	5	12012,5	12182,5	90	180	7	18497,5	18667,5
30	60	3	6327,5	6497,5	60	120	5	12412,5	12582,5	92	184	7	18897,5	19067,5
32	64	3	6727,5	6897,5	62	124	5	12812,5	12982,5	94	188	7	19297,5	19467,5
					64	128	5	13212,5	13382,5	96	192	7	19697,5	19867,5

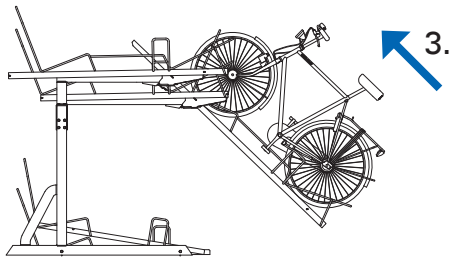


## HOW TO USE THE FALCOLEVEL-ECO TWO TIER CYCLE RACK

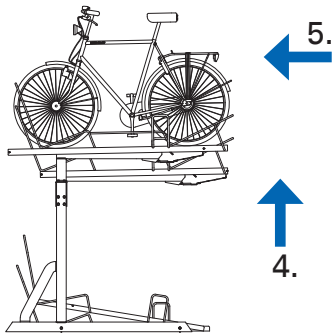
### Parking a Bike



1. Grasp the handle and pull the upper rack fully outwards
2. Gently lower the rack to the floor

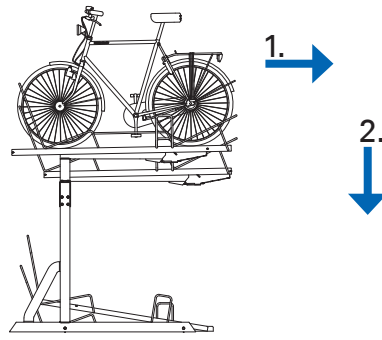


3. Place the front wheel of your bike onto the rack and wheel your bike along allowing the rear wheel to sit in the recess at the front

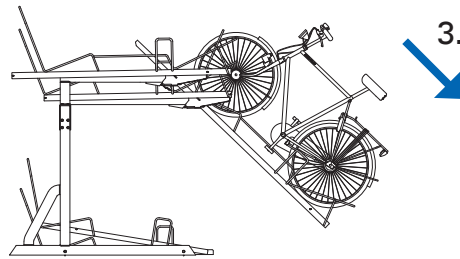


4. Using the handle gently raise the rack back into its upright position
5. Push the rack back until it locates over the 'stop' position

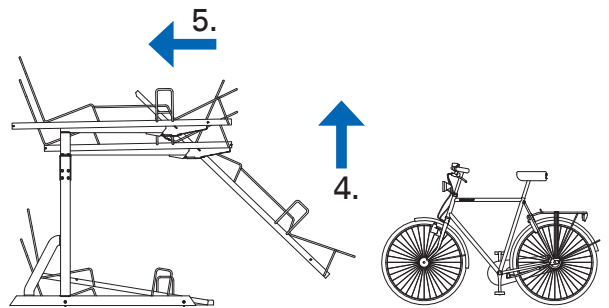
### Removing a Parked Bike



1. Grasp the handle and pull the upper rack fully outwards
2. Gently lower the rack to the floor



3. Lift the rear bicycle wheel out of the rear support and roll the bicycle off the cycle rack



4. Grasp the handle and pull the rack back into its upright position
5. Push the rack back until it locates over the 'stop' position

